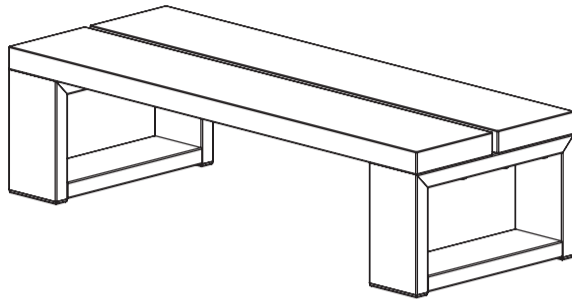
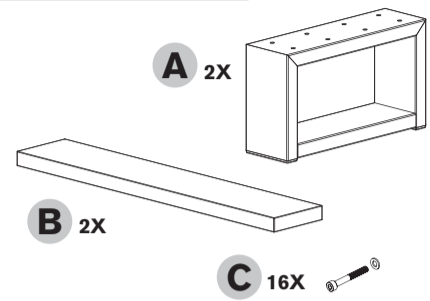


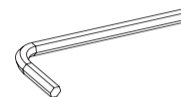
SPA STEP



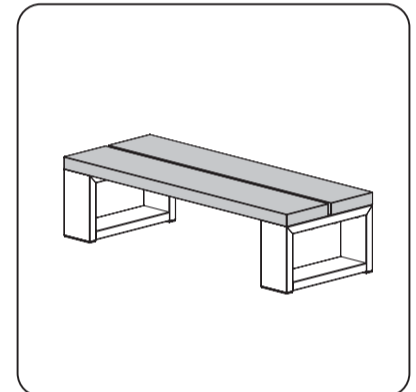
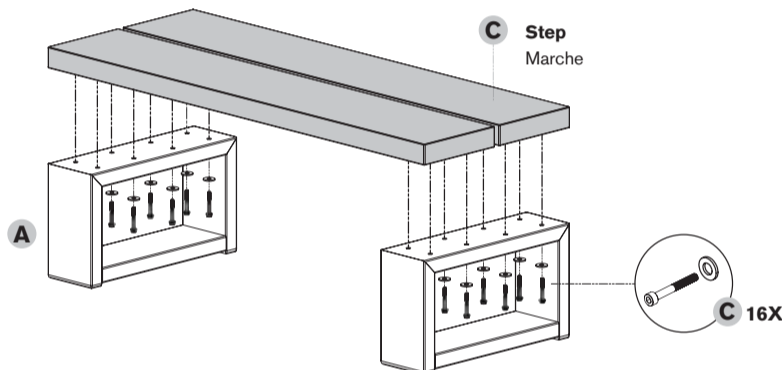
PARTS / PIÈCES



Included tool / Outil inclus



1



Fix the 2 steps (B) on the base parts (A) with screws and washers (C).

Fixez les 2 marches (B) sur les pièces de base (A) avec les vis et rondelles (C).

WARNING!

Read the user manual to become familiar with the features of this product before operating. It must be operated with caution and common sense, and requires some basic mechanical ability. Failure to operate this product in a safe and responsible manner could cause serious injury, damage to the product or other property. This product is not intended for use by children without direct adult supervision.

ATTENTION!

Lisez le manuel de l'utilisateur pour vous familiariser avec les fonctionnalités de ce produit avant de l'utiliser. Il doit être utilisé avec prudence et bon sens, et nécessite certaines capacités mécaniques de base. Le fait de ne pas utiliser ce produit de manière sûre et responsable peut entraîner des blessures graves, des dommages au produit ou à d'autres biens. Ce produit n'est pas destiné à être utilisé par des enfants sans la surveillance directe d'un adulte.

AUSTRALIA AND NEW ZEALAND - EQUIPOTENTIAL BONDING COMPLIANCE OBLIGATION

This product is subject to Equipotential Bonding compliance in accordance with the Australian and New Zealand Standards (AS/NZS 3000: 2018 Electrical Installations) otherwise known as the Wiring Rules. If this product is installed within arms reach of a body of water including spa, swim spa or pool, then Equipotential Bonding MUST be performed by a licensed electrical person prior to the product being used. This is a mandatory requirement. As the purchaser of this product, you are responsible for ensuring compliance with this requirement at your own expense.

MST010 - MST012 - MST014

SPECIFICATIONS FOR PACKAGING

CPA item #: 760130

Version #:	V01
Packaging type:	Instruction Sheet
Brand:	Life
Customer item #:	MST010 - 012 - 014
Flat size:	180 cm X 55.6 cm
Approval date:	03-12-2021
Provides to China:	06-12-2021
Graphic designer:	Charles

PRINTING SPECS.

K **PANTONE**

COLOR REFERENCES: Total printing colors: 04

Coating:

Material:

ATTENTION: Please note this artwork is not press ready. Printers are responsible for color, UPC code scannable and content match of enclosed proofs. As a result, supplied electronic files may need modification to account for pre-press trapping, dot gain and press characteristics of specific printing methods and environments. Under no circumstances should fonts, crops, dielines and content be substituted or modified in any way.

NOTE: PDF IS FOR REVIEW ONLY AND NOT MEANT FOR MASS PRINTING.

Additional notes:
N/A